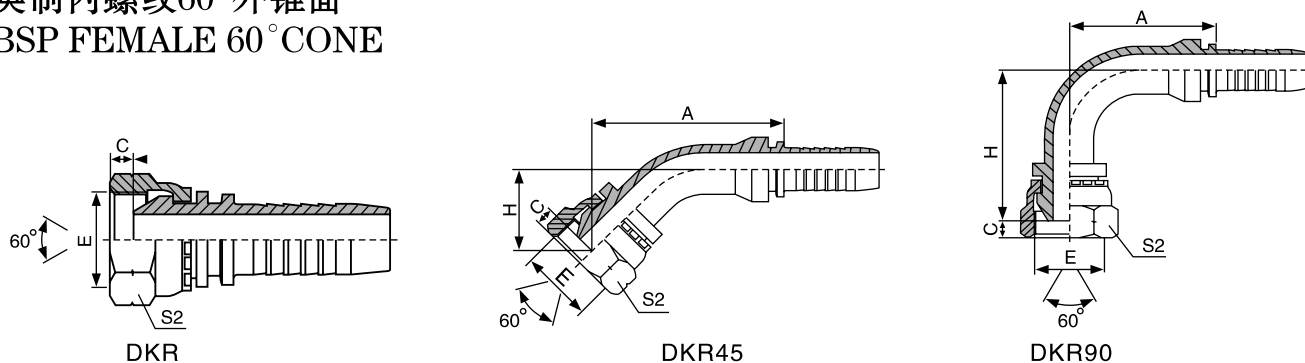


英制内螺纹60°外锥面 BSP FEMALE 60° CONE



订货代号	螺纹E	软管		尺寸				
		口径DN	标号	A	C	S2	H	
DKR-04-04	G1/4" *19	6	-4	18	5.5	19		
DKR-06-06	G3/8" *19	10	-6	19.5	6.3	22		
DKR-08-08	G1/2" *14	12	-8	21.5	7.5	27		
DKR-10-10	G5/8" *14	16	-10	23.5	9.5	30		
DKR-12-12	G3/4" *14	20	-12	24	10.9	32		
DKR-16-16	G1" *11	25	-16	27	11.7	41		
DKR-20-20	G1-1/4" *11	32	-20	30.5	11	50		
DKR-24-24	G1-1/2" *11	40	-24	32	13	55		
DKR-32-32	G2" *11	50	-32	31.9	16	70		
DKR45-04-04	G1/4" *19	6	-4	42.3	5.5	19	20.2	
DKR45-06-06	G3/8" *19	10	-6	46.9	6.3	22	22.6	
DKR45-08-08	G1/2" *14	12	-8	61.1	7.5	27	26.1	
DKR45-10-10	G5/8" *14	16	-10	72.6	9.5	30	27.8	
DKR45-12-12	G3/4" *14	20	-12	79.2	10.9	32	31.8	
DKR45-16-16	G1" *11	25	-16	88.4	11.7	41	34.2	
DKR45-20-20	G1-1/4" *11	32	-20	98.8	11	50	38	
DKR45-24-24	G1-1/2" *11	40	-24	116.8	13	55	45.5	
DKR45-32-32	G2" *11	50	-32	135.7	16	70	52.7	
DKR90-04-04	G1/4" *19	6	-4	30	5.5	19	36.5	
DKR90-06-06	G3/8" *19	10	-6	35.3	6.3	22	43	
DKR90-08-08	G1/2" *14	12	-8	41	7.5	27	51	
DKR90-10-10	G5/8" *14	16	-10	56.5	9.5	30	56	
DKR90-12-12	G3/4" *14	20	-12	65.5	10.9	32	66	
DKR90-16-16	G1" *11	25	-16	76.7	11.7	41	73.8	
DKR90-20-20	G1-1/4" *11	32	-20	91.5	11	50	84.3	
DKR90-24-24	G1-1/2" *11	40	-24	109.4	13	55	103	
DKR90-32-32	G2" *11	50	-32	131.8	16	70	123.3	