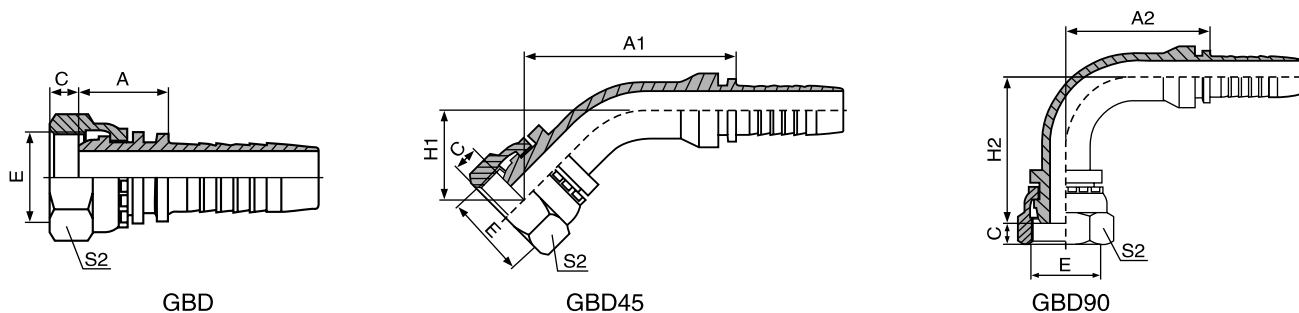


公制内螺纹球面 METRIC FEMALE MULTISEAL



GBD

GBD45

GBD90

订货代号	螺纹E	软管		尺寸				
		通径DN	标号	A	C	S2	A1/H1	A2/H2
GBD**-12-04	M12*1.5	6	-4	18	4	17		30/37.5
GBD**-12-05	M12*1.5	8	-5	18	4	17		
GBD**-14-04	M14*1.5	6	-4	19.5	4.5	19	43.4/21.3	30/38
GBD**-14-05	M14*1.5	8	-5	19.5	4.5	19		
GBD**-16-05	M16*1.5	8	-5	20	4.5	22	45.8/22.5	33/41
GBD**-16-06	M16*1.5	10	-6	20	4.5	22		
GBD**-18-05	M18*1.5	8	-5	21.5	4	24		
GBD**-18-06	M18*1.5	10	-6	21.5	4	24	48.5/24.2	35.3/45.3
GBD**-20-06	M20*1.5	10	-6	20.5	5.5	24		35.3/44.8
GBD**-20-08	M20*1.5	12	-8	23	5.5	27		41/52
GBD**-22-06	M22*1.5	10	-6	23	5	27		
GBD**-22-08	M22*1.5	12	-8	23.5	5.5	27	62.1/27.2	41/52.5
GBD**-22-10	M22*1.5	16	-10	24.5	5	27		
GBD**-24-08	M24*1.5	12	-8	22	5.5	30		
GBD**-24-10	M24*1.5	16	-10	26	5	30		
GBD**-26-10	M26*1.5	16	-10	23.5	5.5	32	74.4/29.6	56.5/58.5
GBD**-26-12	M26*1.5	20	-12	26	5.5	32	80.6/33.2	
GBD**-27-10	M27*1.5	16	-10	26	5.5	32	74.4/29.6	56.5/58.5
GBD**-27-12	M27*1.5	20	-12	26	5.5	32		
GBD**-30-12	M30*1.5	20	-12	26.5	6	36	80.9/33.5	67.5/68.5
GBD**-30-14	M30*1.5	22	-14	26	7	36		
GBD**-33-12	M33*2	20	-12	26	7	41		
GBD**-33-14	M33*2	22	-14	27.5	7	41		
GBD**-36-12	M36*2	20	-12	26.5	7	41		65.5/68
GBD**-36-14	M36*2	22	-14	26	7	41	83/32.64	71.2/69
GBD**-39-16	M39*2	25	-16	29.5	7	46	88.2/33.95	76.7/73.5
GBD**-42-20	M42*2	32	-20	32.5	8.5	50		
GBD**-45-20	M45*2	32	-20	31.5	8.5	55	99.1/38.4	91.5/85
GBD**-52-24	M52*2	40	-24	33	9	60	114.1/43.4	109.4/100
GBD**-64-32	M64*2	50	-32	35	14	75		131.75/122.3