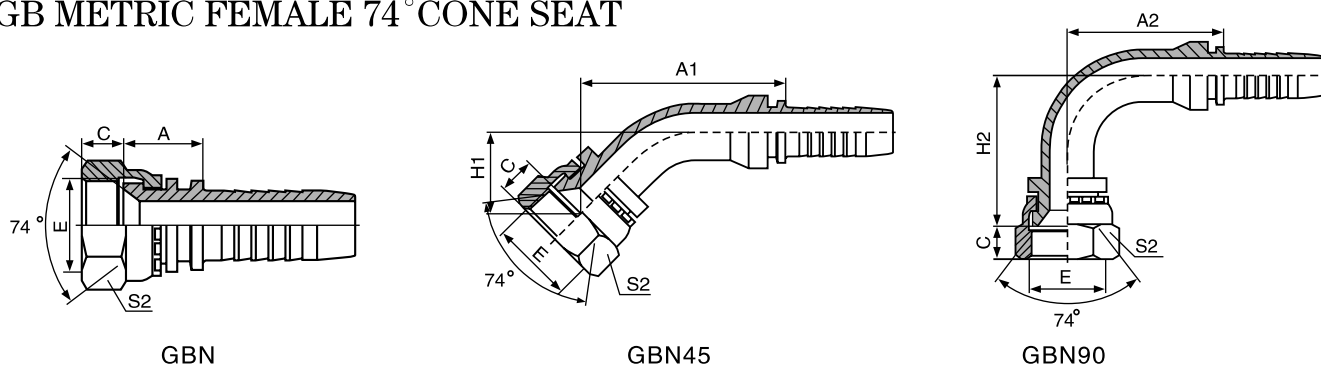
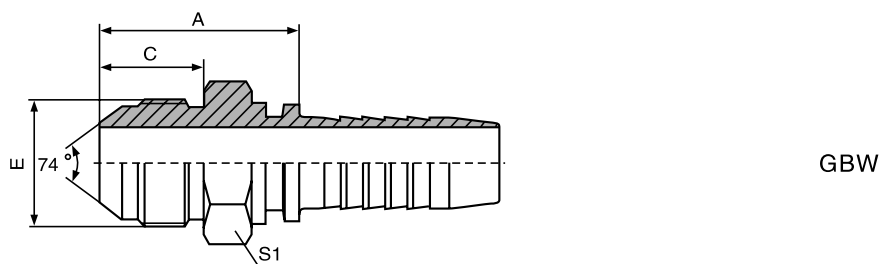


国标公制内螺纹74°内锥面 GB METRIC FEMALE 74° CONE SEAT



订货代号	螺纹E	软管		尺寸				
		通径DN	标号	A	C	S2	A1/H1	A2/H2
GBN**-14-04	M14*1.5	6	-4	15.5	8.5	19	40.5/18.5	30/33.5
GBN**-16-05	M16*1.5	8	-5	16.5	8	22	44.4/20	34/38
GBN**-18-06	M18*1.5	10	-6	17.5	10	24	45.7/21.4	35.3/41.3
GBN**-22-08	M22*1.5	12	-8	18.5	10	27	58.9/24	41/48
GBN**-27-10	M27*1.5	16	-10	19.5	11	32	71.2/26.4	56.5/52.5
GBN**-30-12	M30*1.5	20	-12	21.5	11	36	78.1/30	66.2/63.5
GBN**-36-14	M36*2	22	14	20	14	41	79.8/29.6	71.2/64.5
GBN**-39-16	M39*2	25	-16	23.5	14	46	86.1/31.8	76.7/70.5
GBN**-45-20	M45*2	32	-20	25	15	55	97/36.2	91.5/83
GBN**-52-24	M52*2	40	-24	25	17	60	112.9/40.9	110.7/96.5
GBN**-64-24	M64*2	40	-24	25	17	60		
GBN**-64-32	M64*2	50	-32	26	23	75		

公制外螺纹74°外锥面 METRIC MALE 74° CONE



订货代号	螺纹E	软管		尺寸				
		通径DN	标号	A	C	S1		
GBW-14-04	M14*1.5	6	-4	30.5	18	17		
GBW-16-05	M16*1.5	8	-5	31.5	19	17		
GBW-18-06	M18*1.5	10	-6	31.5	19	19		
GBW-22-08	M22*1.5	12	-8	35	19.5	22		
GBW-27-10	M27*1.5	16	-10	38.5	20.5	27		
GBW-30-12	M30*1.5	20	-12	42.5	23	32		
GBW-36-14	M36*2	22	14	45	26	38		
GBW-39-16	M39*2	25	-16	48	27.5	41		
GBW-45-20	M45*2	32	-20	52	28.5	46		