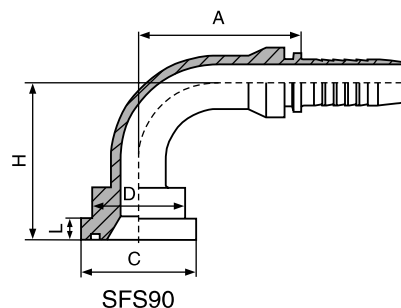
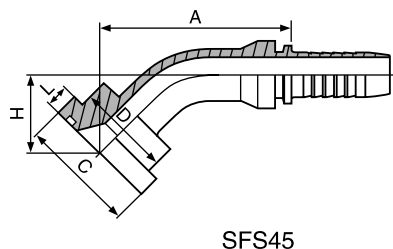
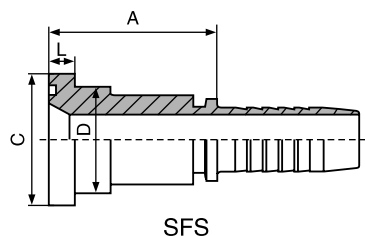


## SAE 法兰6000 PSI SAE FLANGE 6000 PSI



订货代号	法兰型号	软管		尺寸				
		通径DN	标号	A/H	C	D	L	O形圈
SFS-08-08	1/2"	12	-8	47	31.7	24	7.75	19.0*3.55
SFS-12-12	3/4"	20	-12	51	41.3	32	8.76	25.0*3.55
SFS-16-16	1"	25	-16	57	47.6	38	9.53	32.5*3.55
SFS-20-20	1-1/4"	32	-20	66	54	44	10.29	37.5*3.55
SFS-24-24	1-1/2"	40	-24	75	63.5	51	12.57	47.5*3.55
SFS-32-32	2"	50	-32	85	79.4	67	12.57	56.0*3.55
SFS45-08-08	1/2"	12	-8	58.9/24	31.7	24	7.75	19.0*3.55
SFS45-12-12	3/4"	20	-12	79.2/31.8	41.3	32	8.76	25.0*3.55
SFS45-16-16	1"	25	-16	90.2/34.7	47.6	38	9.53	32.5*3.55
SFS45-20-20	1-1/4"	32	-20	103.8/41.5	54	44	10.29	37.5*3.55
SFS45-24-24	1-1/2"	40	-24	116.2/45.5	63.5	51	12.57	47.5*3.55
SFS45-32-32	2"	50	-32	135.7/52.7	79.4	67	12.57	56.0*3.55
SFS90-08-08	1/2"	12	-8	41/48	31.7	24	7.75	19.0*3.55
SFS90-12-12	3/4"	20	-12	66.2/66	41.3	32	8.76	25.0*3.55
SFS90-16-16	1"	25	-16	78/74.5	47.6	38	9.53	32.5*3.55
SFS90-20-20	1-1/4"	32	-20	91.5/89.5	54	44	10.29	37.5*3.55
SFS90-24-24	1-1/2"	40	-24	109.4/108	63.5	51	12.57	47.5*3.55
SFS90-32-32	2"	50	-32	131.8/136.3	79.4	67	12.57	56.0*3.55